

**RIDUTTORI EPICICLOIDALI
HEAVY DUTY SERIES**

**PLANETARY DRIVES
HEAVY DUTY SERIES**



RR70000-240000



COPPIE NOMINALI

NOMINAL TORQUES

	T_{2n} [Nm]	Pag.
RR70000	700000	1
RR85000	850000	3
RR110000	1100000	5
RR150000	1500000	7
RR190000	1900000	9
RR240000	2400000	11

i	T ₂ [Nm]						n _{1max} [min ⁻¹]	T _{2max} [Nm]	Pt [kW]	
	n ₂ xh									
	10000 (10 ⁴)	25000 (2.5*10 ⁴)	50000 (5*10 ⁴)	100000 (10 ⁵)	500000 (5*10 ⁵)	1000000 (10 ⁶)				
RR70000 L1	-	-	-	-	-	-	-	-	-	
RR70000 L2	20.21	843000	766600	700000	663400	421700	342600	500	1200000	177
	23.45	843000	766600	700000	663400	414500	336700	500	1200000	177
	28.41	726700	685200	655400	626800	406100	329800	500	1200000	177
RR70000 L3	84.36	843000	766600	665000	540200	333300	270700	1000	1200000	127
	97.86	843000	766600	700000	599300	369800	300400	1000	1200000	127
	113.53	843000	766600	700000	589100	363500	295200	1000	1200000	127
	118.57	726700	685200	655400	626800	406100	329800	1000	1200000	127
	137.55	726700	685200	655400	626800	406100	329800	1000	1200000	127
	166.65	726700	685200	655400	626800	406100	329800	1000	1200000	127
RR70000 L4	337.43	843000	766600	665000	540200	333300	270700	2000	1200000	98
	391.45	843000	766600	700000	599300	369800	300400	2000	1200000	98
	454.11	843000	766600	700000	589100	363500	295200	2000	1200000	98
	493.16	843000	766600	665000	540200	333300	270700	2000	1200000	98
	550.20	726700	685200	655400	626800	406100	329800	2000	1200000	98
	647.29	726700	685200	655400	626800	406100	329800	2000	1200000	98
	784.26	726700	685200	655400	626800	406100	329800	2000	1200000	98
	974.29	726700	685200	655400	626800	406100	329800	2000	1200000	98
RR70000 L5	1323.76	843000	766600	665000	540200	333300	270700	3000	1200000	81
	1452.41	843000	766600	665000	540200	333300	270700	3000	1200000	81
	1684.92	843000	766600	700000	599300	369800	300400	3000	1200000	81
	1934.72	843000	766600	665000	540200	333300	270700	3000	1200000	81
	2169.18	843000	766600	656400	533100	329000	267200	3000	1200000	81
	2484.26	843000	766600	700000	589300	363500	295200	3000	1200000	81
	2786.17	726700	685200	655400	626800	406100	329800	3000	1200000	81
	3170.34	843000	766600	665000	540200	333300	270700	3000	1200000	81
	3541.07	843000	766600	700000	577200	356100	289300	3000	1200000	81
	3900.48	843000	766600	665000	540200	333300	270700	3000	1200000	81
	4524.90	843000	766600	700000	599300	369800	300400	3000	1200000	81
	5329.93	726700	685200	655400	626800	406100	329800	3000	1200000	81

i	T ₂ [Nm]						n _{1max} [min ⁻¹]	T _{2max} [Nm]	Pt [kW]
	n ₂ xh								
1/...	10000 (10 ⁴)	25000 (2.5*10 ⁴)	50000 (5*10 ⁴)	100000 (10 ⁵)	500000 (5*10 ⁵)	1000000 (10 ⁶)			

RR85000 L1	-	-	-	-	-	-	-	-	-	-
-------------------	---	---	---	---	---	---	---	---	---	---

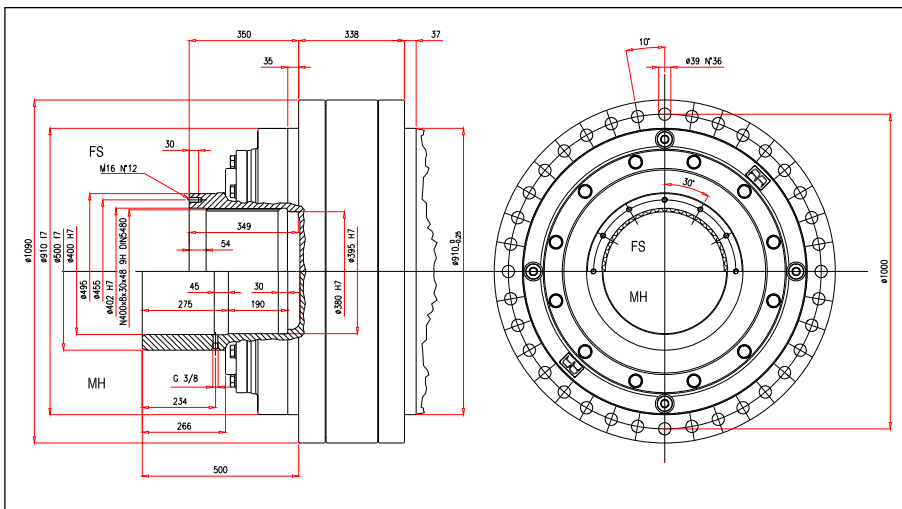
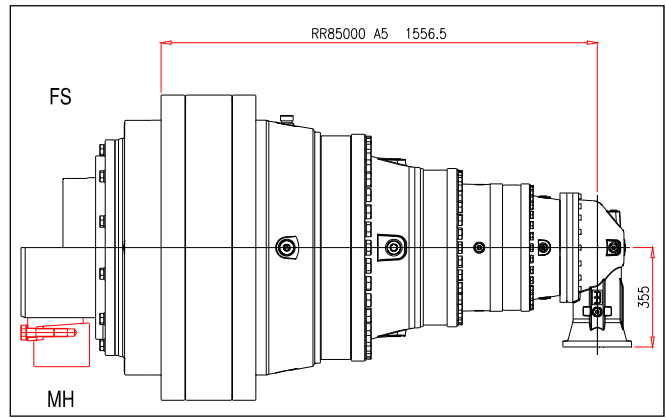
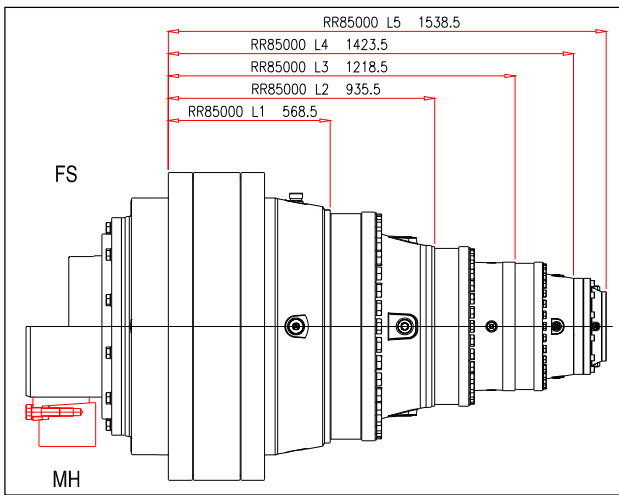
RR85000 L2	19.20	899000	818900	807300	781800	498050	404540	500	1500000	187
	22.27	899000	818900	807300	781800	498050	404540	500	1500000	187
	26.99	899000	818900	807300	781800	498050	404540	500	1500000	187

RR85000 L3	80.14	899000	818900	807300	781800	498050	395490	750	1500000	136
	92.97	899000	818900	807300	781800	498050	404540	750	1500000	136
	107.85	899000	818900	807300	781800	498050	404540	750	1500000	136
	112.64	899000	818900	807300	781800	498050	404540	750	1500000	136
	130.67	899000	818900	807300	781800	498050	404540	750	1500000	136
	158.32	899000	818900	807300	781800	498050	404540	750	1500000	136

RR85000 L4	334.49	899000	818900	807300	781800	498050	395490	1000	1500000	108
	388.04	899000	818900	807300	781800	498050	404540	1000	1500000	108
	432.30	899000	818900	807300	781800	498050	404540	1000	1500000	108
	492.19	899000	818900	807300	781800	498050	404540	1000	1500000	108
	545.41	899000	818900	807300	781800	498050	404540	1000	1500000	108
	607.63	899000	818900	807300	781800	498050	404540	1000	1500000	108
	670.22	899000	818900	807300	781800	498050	404540	1000	1500000	108
	736.20	899000	818900	807300	781800	498050	404540	1000	1500000	108
	838.17	899000	818900	807300	781800	498050	404540	1000	1500000	108
	983.86	899000	818900	807300	781800	498050	404540	1000	1500000	108

RR85000 L5	1304.53	899000	818900	807300	781800	486900	395490	2000	1500000	89
	1475.71	899000	818900	807300	781800	486900	395490	2000	1500000	89
	1685.98	899000	818900	807300	781800	498050	404540	2000	1500000	89
	1907.22	899000	818900	807300	781800	498050	404540	2000	1500000	89
	2171.41	899000	818900	807300	781800	498050	404540	2000	1500000	89
	2434.08	899000	818900	807300	781800	498050	404540	2000	1500000	89
	2804.99	899000	818900	807300	781800	498050	404540	2000	1500000	89
	3166.94	899000	818900	807300	781800	498050	404540	2000	1500000	89
	3623.96	899000	818900	807300	781800	498050	404540	2000	1500000	89
	4145.15	899000	818900	807300	781800	498050	404540	2000	1500000	89
	4617.96	899000	818900	807300	781800	498050	404540	2000	1500000	89
	5257.64	899000	818900	807300	781800	498050	404540	2000	1500000	89

RR85000 A5	1031.95	851860	647130	525630	426940	263440	213980	2500	1500000	93
	1074.58	876350	665730	540740	439220	271010	220130	2500	1500000	93
	1197.15	899000	718010	583210	473710	292300	237420	2500	1500000	93
	1362.98	899000	786270	638650	518740	320080	259990	2500	1500000	93
	1510.38	899000	818900	686250	557410	343940	279360	2500	1500000	93
	1682.66	899000	818900	740150	601180	370950	301310	2500	1500000	93
	1855.99	899000	818900	792730	643890	397300	322710	2500	1500000	93
	2038.70	899000	818900	807300	687630	424290	344570	2500	1500000	93
	2321.10	899000	818900	807300	753000	464620	377400	2500	1500000	93
2724.53	899000	818900	807300	781800	519780	422200	2500	1500000	93	



			Peso [kg]
			Weight [kg]
RR85000 L1	FS		3125
	MH		3201
RR85000 L2	FS		4144
	MH		4220
RR85000 L3	FS		4439
	MH		4515
RR85000 L4	FS		4574
	MH		4650
RR85000 L5	FS		4624
	MH		4700
RR85000 A5	FS		4664
	MH		4740

i	T ₂ [Nm]						n _{1max} [min ⁻¹]	T _{2max} [Nm]	Pt [kW]
	n ₂ xh								
1/...	10000 (10 ⁴)	25000 (2.5*10 ⁴)	50000 (5*10 ⁴)	100000 (10 ⁵)	500000 (5*10 ⁵)	1000000 (10 ⁶)			

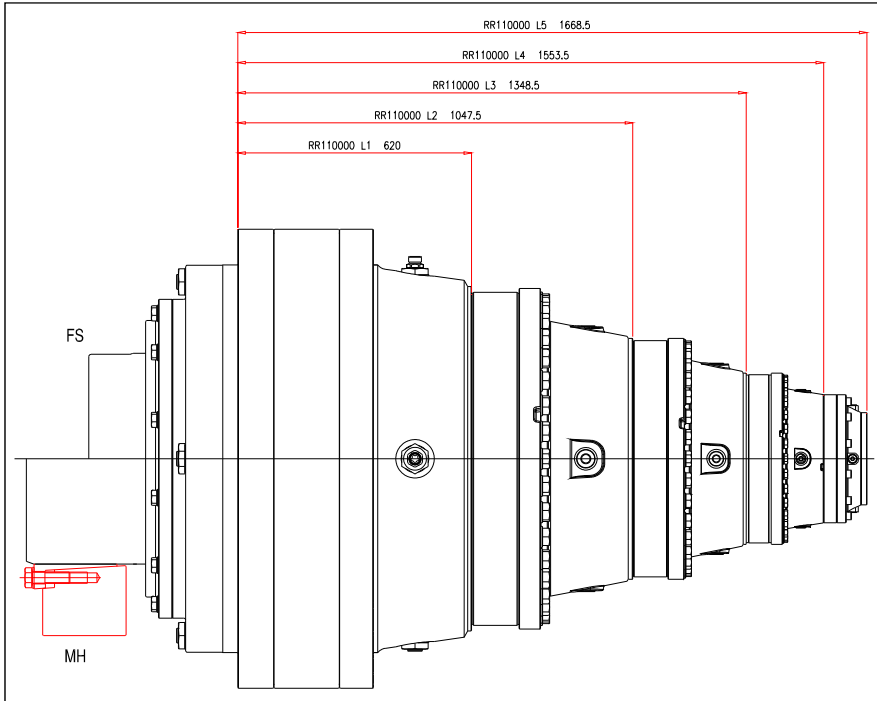
RR110000 L1	-	-	-	-	-	-	-	-	-	-
--------------------	---	---	---	---	---	---	---	---	---	---

RR110000 L2	20.21	1223100	1106600	1091000	1075600	755700	613800	300	2000000	197
	23.45	1223100	1106600	1091000	1075600	755700	613800	300	2000000	197
	28.41	1223100	1106600	1091000	1075600	755700	613800	300	2000000	197

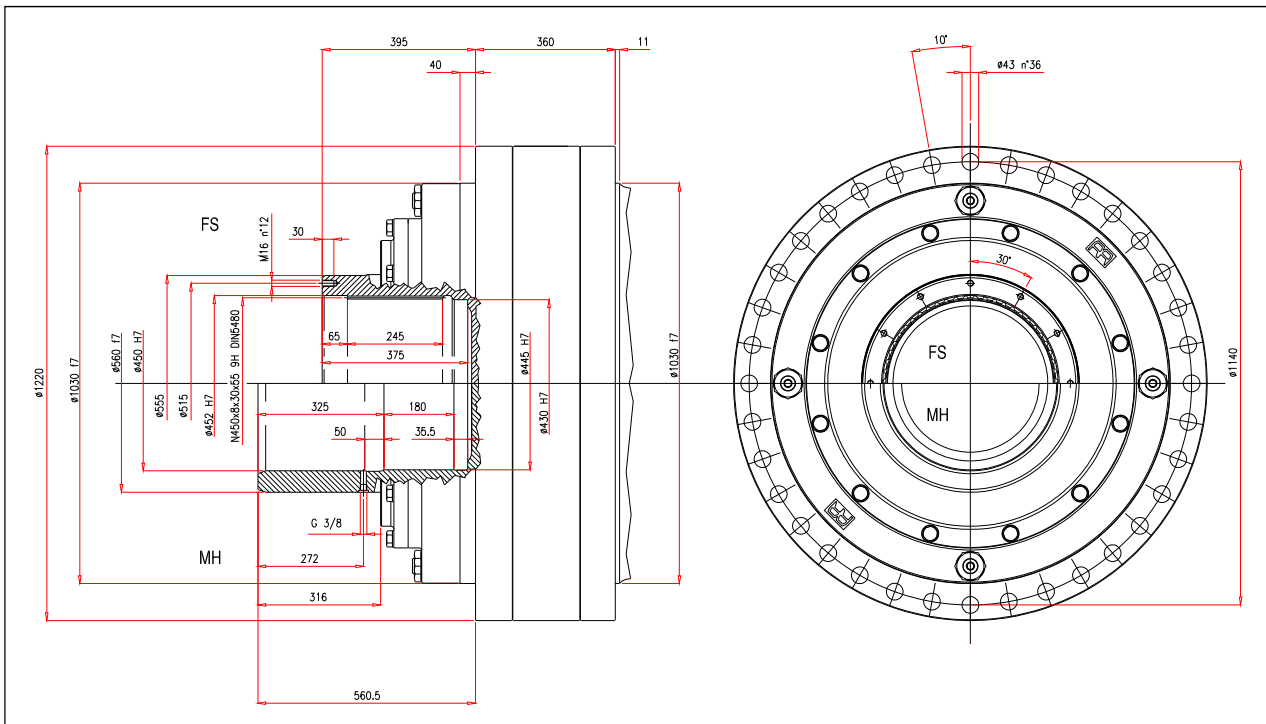
RR110000 L3	84.36	1223100	1106600	1091000	1075600	755700	613800	500	2000000	144
	97.86	1223100	1106600	1091000	1075600	755700	613800	500	2000000	144
	118.57	1223100	1106600	1091000	1075600	755700	613800	500	2000000	144
	137.55	1223100	1106600	1091000	1075600	755700	613800	500	2000000	144
	166.65	1223100	1106600	1091000	1075600	755700	613800	500	2000000	144

RR110000 L4	352.10	1223100	1106600	1091000	1075600	734000	596200	1000	2000000	113
	408.47	1223100	1106600	1091000	1075600	719400	584300	1000	2000000	113
	494.89	1223100	1106600	1091000	1075600	704600	572300	1000	2000000	113
	574.12	1223100	1106600	1091000	1075600	755700	613800	1000	2000000	113
	695.60	1223100	1106600	1091000	1075600	755700	613800	1000	2000000	113
	806.96	1223100	1106600	1091000	1075600	755700	613800	1000	2000000	113
	977.71	1223100	1106600	1091000	1075600	755700	613800	1000	2000000	113

RR110000 L5	1373.18	1223100	1106600	1091000	1075600	721800	586300	2000	2000000	93
	1593.01	1223100	1106600	1091000	1075600	719400	584300	2000	2000000	93
	1802.05	1223100	1106600	1091000	1075600	719400	584300	2000	2000000	93
	1930.09	1223100	1106600	1091000	1075600	704600	572300	2000	2000000	93
	2183.36	1223100	1106600	1091000	1075600	755700	613800	2000	2000000	93
	2436.97	1223100	1106600	1091000	1075600	755700	613800	2000	2000000	93
	2712.85	1223100	1106600	1091000	1075600	755700	613800	2000	2000000	93
	2952.62	1223100	1106600	1091000	1075600	755700	613800	2000	2000000	93
	3147.14	1223100	1106600	1091000	1075600	755700	613800	2000	2000000	93
	3601.30	1223100	1106600	1091000	1075600	755700	613800	2000	2000000	93
	4363.32	1223100	1106600	1091000	1075600	755700	613800	2000	2000000	93
	5061.83	1223100	1106600	1091000	1075600	755700	613800	2000	2000000	93



				Peso [kg]
				Weight [kg]
RR110000	L1	FS		4340
		MH		4440
RR110000	L2	FS		5620
		MH		5720
RR110000	L3	FS		6090
		MH		6190
RR110000	L4	FS		6170
		MH		6270
RR110000	L5	FS		6250
		MH		6350



i	T ₂ [Nm]						n _{1max} [min ⁻¹]	T _{2max} [Nm]	Pt [kW]
	n ₂ xh								
1/...	10000 (10 ⁴)	25000 (2.5*10 ⁴)	50000 (5*10 ⁴)	100000 (10 ⁵)	500000 (5*10 ⁵)	1000000 (10 ⁶)			

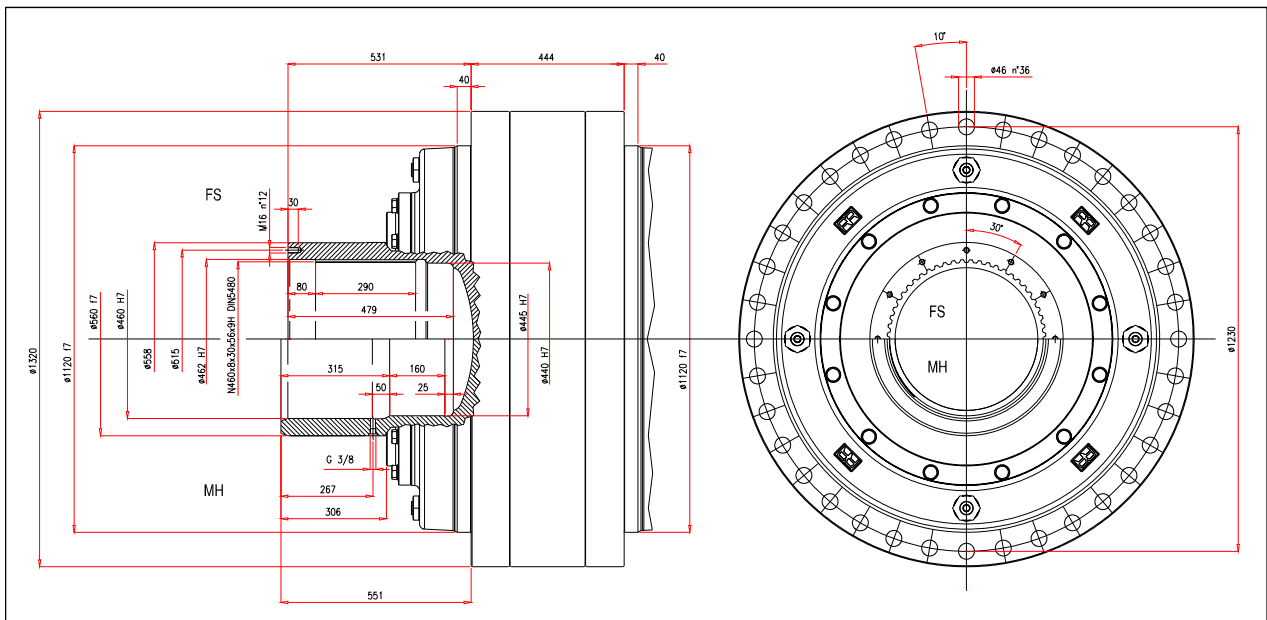
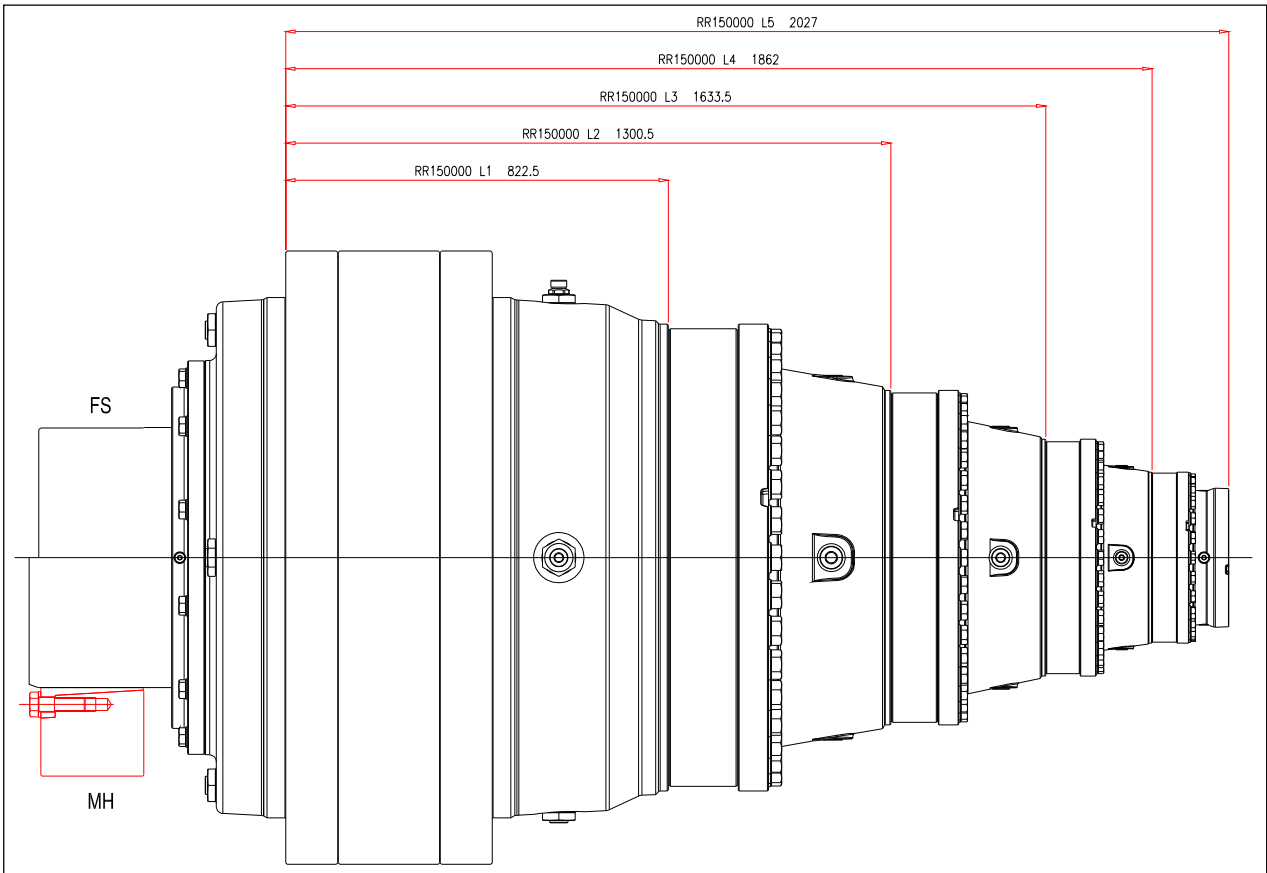
RR150000 L1	-	-	-	-	-	-	-	-	-	-
--------------------	---	---	---	---	---	---	---	---	---	---

RR150000 L2	19.88	1669300	1511100	1489700	1468600	1078100	875700	300	2700000	245
--------------------	--------------	---------	---------	---------	---------	---------	--------	-----	---------	-----

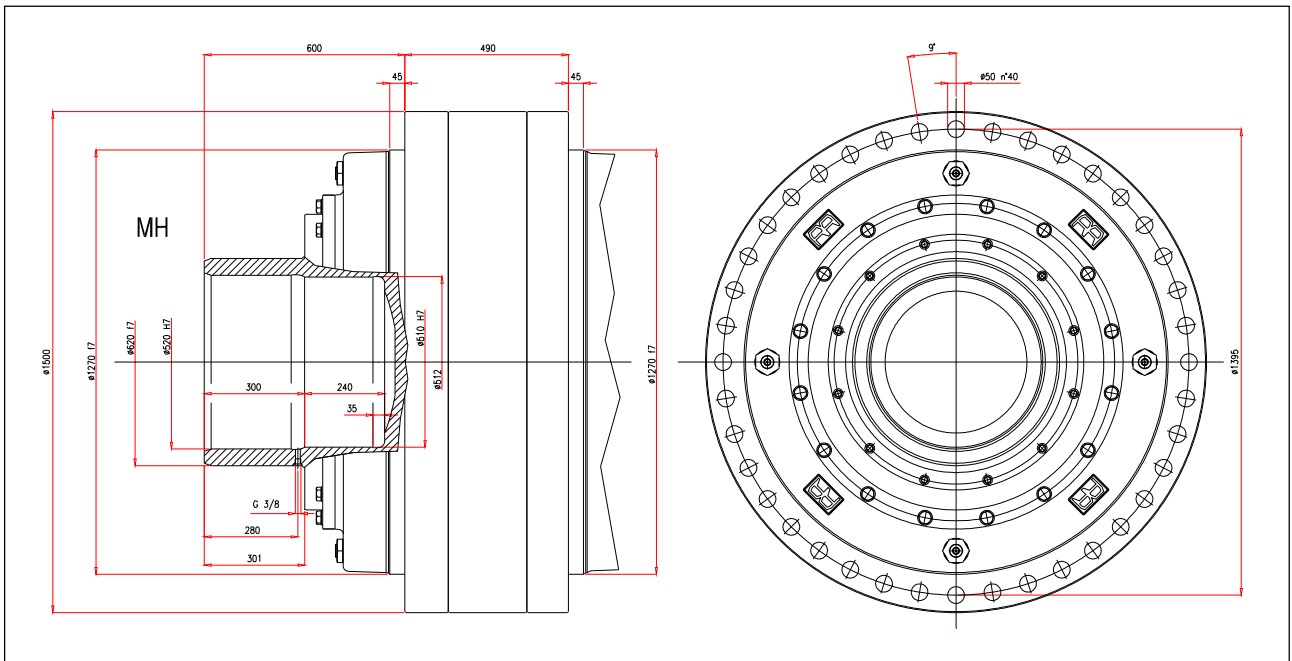
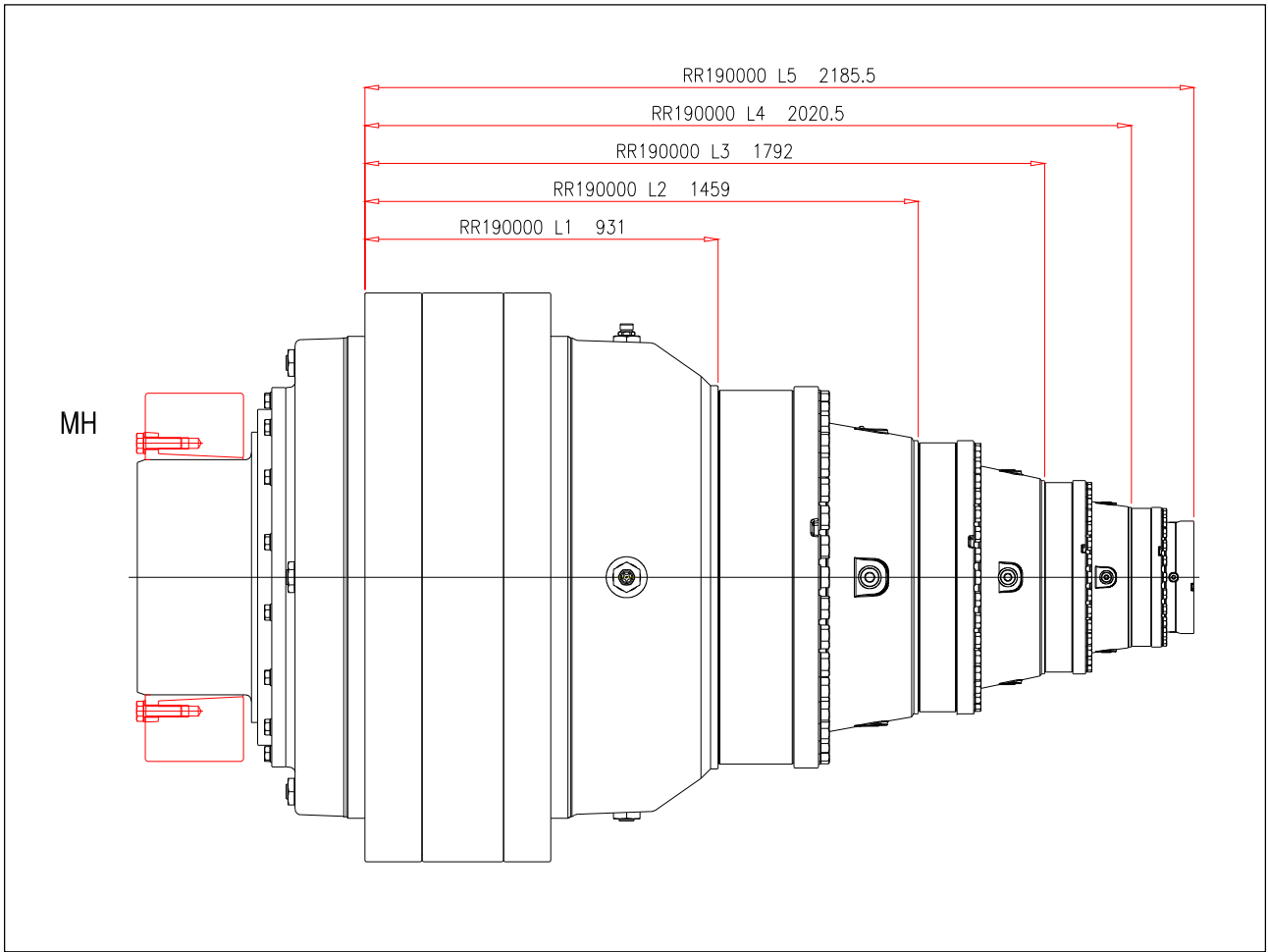
RR150000 L3	82.96	1669300	1511100	1489700	1468600	1078100	875700	500	2700000	178
	96.24	1669300	1511100	1489700	1468600	1078100	875700	500	2700000	178
	116.60	1669300	1511100	1489700	1468600	1063900	864200	500	2700000	178

RR150000 L4	346.27	1669300	1511100	1489700	1415300	873300	709300	1000	2700000	140
	401.70	1669300	1511100	1489700	1391100	858300	697200	1000	2700000	140
	486.70	1669300	1511100	1489700	1362900	841000	683100	1000	2700000	140
	564.61	1669300	1511100	1489700	1468600	1063900	864200	1000	2700000	140
	684.08	1669300	1511100	1489700	1468600	1063900	864200	1000	2700000	140

RR150000 L5	1385.07	1669300	1511100	1489700	1415300	873300	709300	2000	2700000	115
	1606.80	1669300	1511100	1489700	1468600	968900	787000	2000	2700000	115
	1864.03	1669300	1511100	1489700	1468600	952300	773500	2000	2700000	115
	2024.33	1669300	1511100	1489700	1385900	855100	694600	2000	2700000	115
	2192.97	1669300	1511100	1489700	1468600	952300	773500	2000	2700000	115
	2348.40	1669300	1511100	1489700	1468600	948800	770700	2000	2700000	115
	2657.00	1669300	1511100	1489700	1468600	1063900	864200	2000	2700000	115
	2845.31	1669300	1511100	1489700	1468600	1063900	864200	2000	2700000	115
	3300.81	1669300	1511100	1489700	1468600	1063900	864200	2000	2700000	115
	3999.24	1669300	1511100	1489700	1468600	1063900	864200	2000	2700000	115



i	T ₂ [Nm]						n _{1max} [min ⁻¹]	T _{2max} [Nm]	Pt [kW]	
	n ₂ xh									
1/...	10000 (10 ⁴)	25000 (2.5*10 ⁴)	50000 (5*10 ⁴)	100000 (10 ⁵)	500000 (5*10 ⁵)	1000000 (10 ⁶)				
RR190000 L1	-	-	-	-	-	-	-	-	-	
RR190000 L2	22.01	2168500	1963400	1935600	1908300	1429600	1161200	300	3650000	292
RR190000 L3	91.87	2168500	1963400	1935600	1908300	1186700	963900	500	3650000	214
	106.57	2168500	1963400	1935600	1890200	1166300	947300	500	3650000	214
	129.12	2168500	1963400	1935600	1851800	1142600	928100	500	3650000	214
RR190000 L4	383.44	2168500	1963400	1871300	1519900	937800	761700	1000	3650000	169
	444.82	2168500	1963400	1935600	1686400	1040600	845200	1000	3650000	169
	516.04	2168500	1963400	1935600	1657600	1022700	830700	1000	3650000	169
	538.95	2168500	1963400	1935600	1851800	1142600	928100	1000	3650000	169
	625.23	2168500	1963400	1935600	1851800	1142600	928100	1000	3650000	169
	757.52	2168500	1963400	1935600	1851800	1142600	928100	1000	3650000	169
RR190000 L5	1533.76	2168500	1963400	1871300	1519900	937800	761700	2000	3650000	139
	1804.43	2168500	1963400	1871300	1519900	937800	761700	2000	3650000	139
	2064.14	2168500	1963400	1935600	1657600	1022700	830700	2000	3650000	139
	2241.65	2168500	1963400	1935600	1519900	937800	761700	2000	3650000	139
	2500.90	2168500	1963400	1935600	1851800	1142600	928100	2000	3650000	139
	2600.52	2168500	1963400	1935600	1493900	921800	748700	2000	3650000	139
	3016.83	2168500	1963400	1935600	1657600	1022700	830700	2000	3650000	139
	3564.80	2168500	1963400	1935600	1851800	1142600	928100	2000	3650000	139
	3655.17	2168500	1963400	1935600	1624000	1002100	813900	2000	3650000	139
	4428.58	2168500	1963400	1935600	1851800	1142600	928100	2000	3650000	139



i	T ₂ [Nm]						n _{1max} [min ⁻¹]	T _{2max} [Nm]	Pt [kW]
	n ₂ xh								
1/...	10000 (10 ⁴)	25000 (2.5*10 ⁴)	50000 (5*10 ⁴)	100000 (10 ⁵)	500000 (5*10 ⁵)	1000000 (10 ⁶)			

RR240000	L1	-	-	-	-	-	-	-	-	-
-----------------	-----------	---	---	---	---	---	---	---	---	---

RR240000	L2	19.76	2976300	2699100	2660900	2623300	1549300	1258500	250	4300000	346
-----------------	-----------	--------------	---------	---------	---------	---------	---------	---------	-----	---------	-----

RR240000	L3	82.49	2976300	2699100	2660900	2623300	1549300	1258500	500	4300000	250
		95.69	2976300	2699100	2660900	2623300	1549300	1258500	500	4300000	250
		115.94	2976300	2699100	2660900	2511000	1549300	1258500	500	4300000	250

RR240000	L4	344.30	2976300	2699100	2627900	2134600	1317100	1069800	750	4300000	197
		399.42	2976300	2699100	2582100	2097300	1294100	1051100	750	4300000	197
		483.93	2976300	2699100	2523100	2049400	1264600	1027100	750	4300000	197
		561.41	2976300	2699100	2660900	2511000	1549300	1258500	750	4300000	197
		680.20	2976300	2699100	2660900	2511000	1549300	1258500	750	4300000	197

RR240000	L5	1437.08	2976300	2699100	2627900	2134600	1317100	1069800	1000	4300000	161
		1601.00	2976300	2699100	2627900	2134600	1317100	1069800	1000	4300000	161
		1822.77	2976300	2699100	2627900	2134600	1317100	1069800	1000	4300000	161
		2139.59	2976300	2699100	2484700	2018200	1245300	1011500	1000	4300000	161
		2453.09	2976300	2699100	2660900	2327000	1435900	1166300	1000	4300000	161
		2610.54	2976300	2699100	2660900	2511000	1549300	1258500	1000	4300000	161
		2972.15	2976300	2699100	2660900	2511000	1549300	1258500	1000	4300000	161
		3162.92	2976300	2699100	2660900	2511000	1549300	1258500	1000	4300000	161
		3601.04	2976300	2699100	2660900	2511000	1549300	1258500	1000	4300000	161
		4226.94	2976300	2699100	2660900	2511000	1549300	1258500	1000	4300000	161

C202-1501-00



REGGIANA RIDUTTORI S.r.l.

Via Martiri di Marzabotto,7
42020 S. Polo d'Enza (RE) ITALY
tel. +39.0522.259111 - fax +39.0522.874321
info@reggianariduttori.com
www.reggianariduttori.com